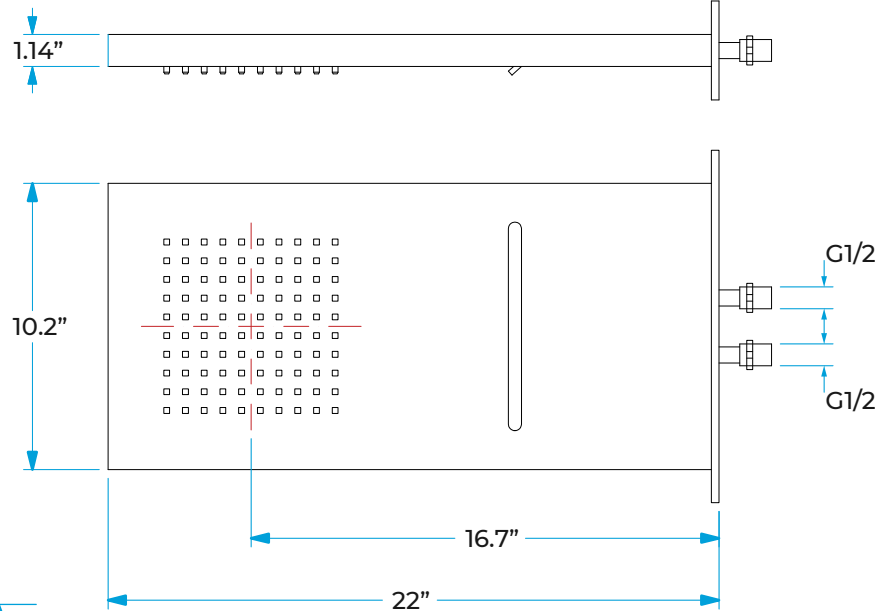


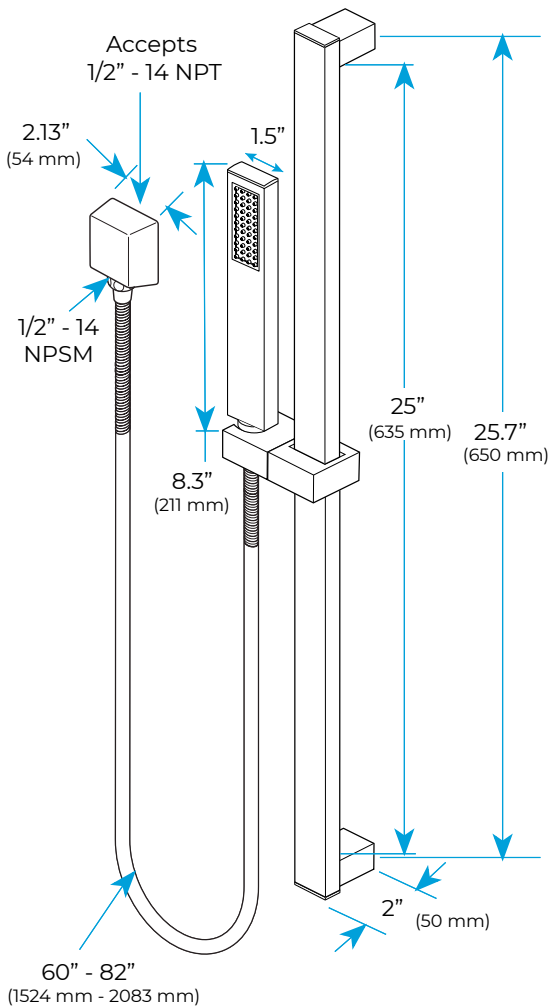
# 22" BRUSHED NICKEL WALL MOUNT WATERFALL RAINFALL SHOWER SYSTEM WITH HANDHELD SHOWER SPECIFICATIONS



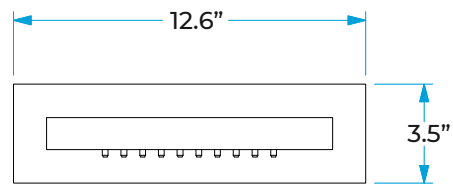
## Shower Head



## Hand Shower

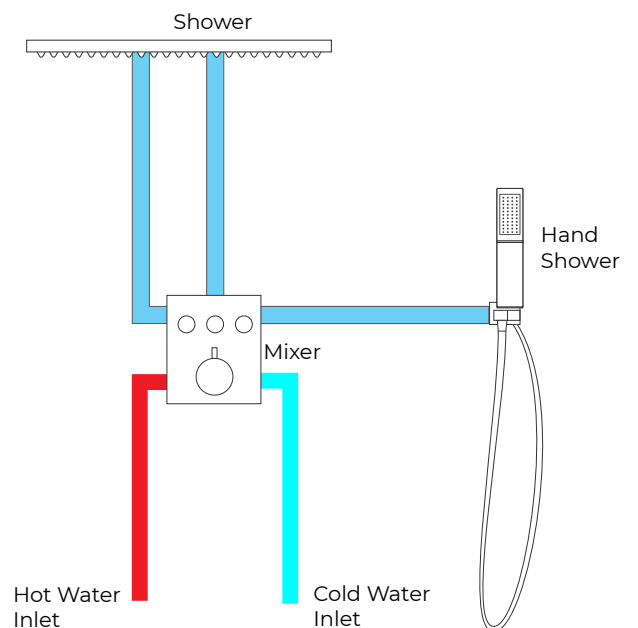


Flow Rate: 2.0 GPM / 7.6 LPM



Flow Rate: 2.5 GPM / 9.5 LPM (rain Shower)

## Mixer Connections



All dimensions and specifications are nominal and may vary. Use actual products for accuracy in critical situations.